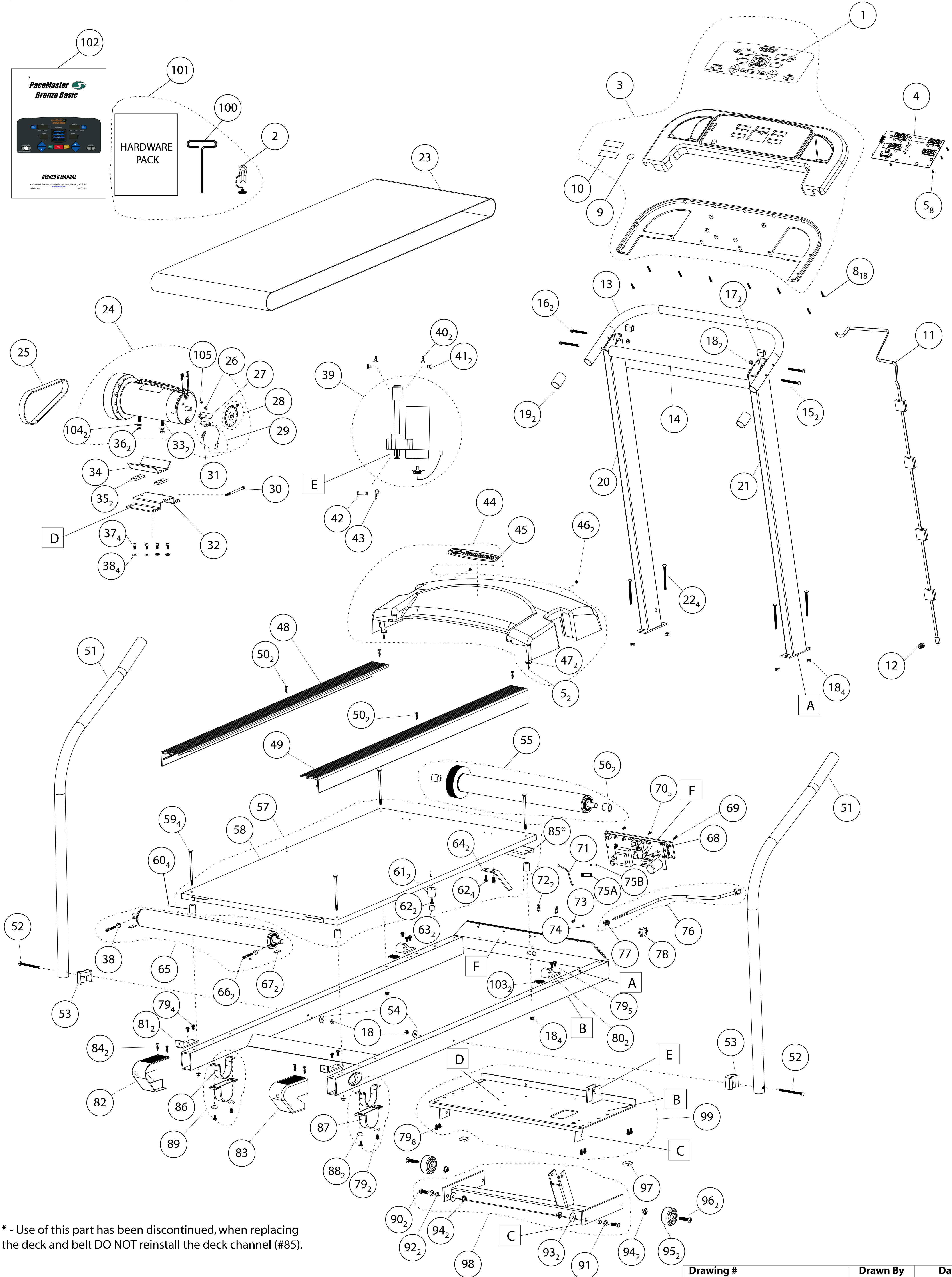


# BRONZE BASIC SERVICE PARTS LIST



\* - Use of this part has been discontinued, when replacing the deck and belt DO NOT reinstall the deck channel (#85).

**CONFIDENTIAL INFORMATION**  
THIS DRAWING IS THE PROPERTY OF AEROBICS INC. WEST CALDWELL, NJ. IT IS LOANED FOR CONFIDENTIAL USE, SUBJECT TO RETURN ON REQUEST, AND WITH THE MUTUAL UNDERSTANDING THAT IT WILL NOT BE USED IN ANY MANNER DETRIMENTAL TO THE INTERESTS OF AEROBICS INC.

**AEROBICS INC.** 34 FAIRFIELD PL.  
WEST CALDWELL, NJ 07006

Drawing #	Drawn By	Date
<b>B-090</b>	<b>BJL</b>	<b>11/3/09</b>
Serial # Range	Rev	
<b>708 B 22552 - 812 B 26130</b>	<b>A</b>	

## PaceMaster Bronze Basic Parts List

Refer to drawing number : B-090

Serial Number range: 708 B 22552 - 812 B 26130

Date: 11/3/09

Bubble #	Part #	Description	Qty / unit	Whsle	Retail
1	DBBMEM	Bronze Basic Membrane	1	\$30.00	\$60.00
2	DBBKEY	Magnetic Safety Key Ass'y w/Garment Clip	2	\$10.00	\$20.00
3	DBBPNL	Gray Control Panel Housing w/keypad (NO CIRCUIT BOARD)	1	\$55.00	\$110.00
4	DBBPCB	Bronze Basic Upper Board w/GREEN LED's	1	\$120.00	\$240.00
5	TMP135	Screw - #6x1/2 PhlpPNHD"A" Z/P	8	\$0.50	\$1.00
8	TMP136	Screw - #8 x 1 PhlpPnP Bk	18	\$0.50	\$1.00
9	TMP120	Steel Disk-Magnetic Key	1	\$0.50	\$1.00
10	T191134	Tape w/release liner	1	\$0.50	\$1.00
11	DBBHRNS	Wire Harness Ass'y (connects upper & lower boards) Black 93" long	1	\$13.00	\$26.00
12	TMP109	Hndl Bar Wire Strain Relief He	1	\$0.50	\$1.00
13	TMP126	Wide Handle Bar Support Tube	2	\$0.00	\$0.00
14	DBBGRTUBE	Front Grip Tube Ass'y	1	\$15.00	\$30.00
15	TMP134	Bolt, 1/4-20x3.5" HxHDFT ZP	2	\$0.50	\$1.00
16	TMP106	Bolt, 1/4-20 x 3" HxHdTB ZP	2	\$0.50	\$1.00
17	TMP118	Handle Bar Extrusion Spacer-Ex	2	\$0.50	\$1.00
18	TMP019-1	Nut, 1/4-20 Keps Blk Ox.	10	\$0.50	\$1.00
19	TMP053	Bronze/Silver Side Rail Adaptor	2	\$2.50	\$5.00
20	DBBLUP	Gray Left Painted Upright (Bronze/Silver)	1	\$25.00	\$50.00
21	DBBRUP	Gray Right Painted Upright (Bronze/Silver)	1	\$25.00	\$50.00
22	TMP133	Bolt, 1/4-20 x 3.5" Carriage B	4	\$0.50	\$1.00
23	DBBBLT	Tread Belt (20"x112") lubricated	1	\$90.00	\$180.00
24	DBBDRMTR	3.0 hp McMillan Drive Motor w/flywheel, Speed Sensor, disc & Sensor Brkt (120 volt)	1	\$185.00	\$370.00
25	DBBDRBLT	Dirve belt 240 J10	1	\$15.00	\$30.00
26	TMP459	Screw, #10x3/8 "A" PhPnHdsms Z	1	\$0.50	\$1.00
27	TMP415	Sensor Bracket	1	\$0.50	\$1.00
28	DBBSSD	Speed Sensor Disc w/Hub & ste screw	1	\$12.00	\$24.00
29	DBBOSA	Optical Sennsor Assy w/wiring	1	\$12.00	\$24.00
30	TMP436	Screw, 1/4-20x4" ScktHdCS BlkOx	1	\$1.00	\$2.00
31	TMP432	Tie Wrap 4"	1	\$0.50	\$1.00
32	TMP434	Bracket - Motor Mount Rev. "C"	1	\$8.00	\$16.00
33	TMP492	Set Screw- 5/16-24x1" BlkOx -	2	\$1.00	\$2.00
34	TMP408	Motor Mount Support	1	\$5.00	\$10.00
35	TMP403	Motor Isolation Pad	2	\$1.00	\$2.00
36	TMP493	Nut - 5/16-24 ZP	2	\$0.50	\$1.00
37	TMP410	Screw, 1/4-20x1/2 ScktHdCS Blk	4	\$0.50	\$1.00
38	TMP423-1	WASHER 1/4" - SAE Blk OX	4	\$0.50	\$1.00
39	DBBELMA	Elevation Motor Ass'y w/potentiometer & wiring (120 volt)	1	\$100.00	\$200.00

Bubble #	Part #	Description	Qty / unit	Whsle	Retail
40	TMP311	Hair Pin Clip 3/8" ZP	2	\$0.50	\$1.00
41	TMP310	Yoke Pivots	2	\$1.00	\$2.00
42	TMP308	CLEVIS PIN 3/8" x 1.25" ZP	1	\$2.50	\$5.00
43	TMP309	Hitch Pin, 5/16"-3/8"x.073" wi	1	\$0.50	\$1.00
44	DBBCVR	Gray Plastic Motor Cover w/decal	1	\$35.00	\$70.00
45	TMP1408	motor hood logo 2008	1	\$10.00	\$20.00
46	TMP422	Screw - #8 x 1/2" Philp Wide W	2	\$0.50	\$1.00
47	TMP419	Velcro Button 13/16" Diameter	2	\$1.00	\$2.00
48	DBBLDKSHRD	Left Deck Shroud Silver	1	\$20.00	\$40.00
49	DBBRDKSHRD	Right Deck Shroud Silver	1	\$20.00	\$40.00
50	TMP438	Screw, #10 x 1 PHPB Heavy ZP	4	\$0.50	\$1.00
51	DBBSDRL	Blue/Gray Siderail w/grip	2	\$18.00	\$36.00
52	TMP047	Screw, 1/4-20 x 4" SlTrsHd Bl	2	\$1.50	\$3.00
53	DBBSDRLBK	Side rail bracket mounting bracket w/foam	2	\$5.00	\$10.00
54	TMP048	Washer, Fender 1/4" ID x 1" OD	2	\$0.50	\$1.00
55	DBBDRRLR	Driver roller Ass'y w/Pulley & Axle	1	\$60.00	\$120.00
56	TMP005	RUBBER ISOLATOR drive axle	2	\$1.00	\$2.00
57	DBBBED1MILL	1" Milled Treadbed no/wax (48"x27"), belt guides,soft step bumpers, spacers & screws	1	\$75.00	\$150.00
58	TMP072-1IN	BS DECK, 1" milled, waxless	1	\$70.00	\$140.00
59	TMP484	Bolt, Carriage 1/4-20x5" BlkOx	4	\$1.00	\$2.00
60	TMP024	Deck Spacer (Black)	4	\$0.50	\$1.00
61	TMP020	Rubber Bumpers (93903)	2	\$2.00	\$4.00
62	TMP021	SCREW #14 x 3/4" A HWH SMS ZP	6	\$0.50	\$1.00
63	TMP040	Rubber Deck Snubber 3/4" x 1"	2	\$0.50	\$1.00
64	DBBBLTGD	Belt Guide	2	\$2.00	\$4.00
65	DBBIDRLR	Idler Roller (rear) w/axle 2.5" O.D.x23" long w/mounting bolts & washers	1	\$50.00	\$100.00
66	TMP1310	Screw, 1/4-20x2 ScktHdCS w/1/4	2	\$2.50	\$5.00
67	TMP327	Pad - Rear Roller Axle	2	\$0.50	\$1.00
68	DBBPWRA	Digital Power Supply Board w/EMI Filter & chassis (120 Volt)	1	\$150.00	\$300.00
69	TMP522	Screw, 10/32 x 5/8 ScktHdCS	1	\$0.50	\$1.00
70	TMP521	Screw, 10-32 x 3/8 ScktHdCS	5	\$0.50	\$1.00
71	DBBBRJMPR	Brown Jumper Wire w/connectors	1	\$1.50	\$3.00
72	TMP361	Purse Lock Richco #TL-350	2	\$0.50	\$1.00
73	TMP517	SCREW #10 x 3/8" PHPNHD GRND G	1	\$0.50	\$1.00
74	TMP516	Nut, 6-32 Keps ZP	1	\$0.50	\$1.00
75A	DBBDFUSE	Drive circuit fuse 20 amp ceramic	1	\$1.00	\$2.00
75B	DBBEFUSE	Elevation Circuit Fuse 2.5 amp	1	\$1.00	\$2.00
76	DBBPWRCRD	Power cord w/ends terminated & Strain Relief (120 Volt)	1	\$12.00	\$24.00
77	TMP035	Strain Relief Bushing	1	\$0.50	\$1.00
78	DBBRCB	Resetable circut break 15 amp 120 Volt	1	\$10.00	\$20.00
79	TMP006	SCREW #14x.5" B HWH SMS ZP	21	\$0.50	\$1.00
80	DBBDRLBK	Drive roller mounting bracket	2	\$5.00	\$10.00

Bubble #	Part #	Description	Qty / unit	Whsle	Retail
81	DBBIRLBK	Idler Roller Mounting Bracket	2	\$5.00	\$10.00
82	DBBLECAP	Left Rear End Cap	1	\$10.00	\$20.00
83	DBBRECAP	Right End Cap	1	\$10.00	\$20.00
84	TMP028	Screw, #10 x 1" PhlpFltHd Blk	4	\$0.50	\$1.00
85	REMOVED	#N/A	2	#N/A	#N/A
86	TMP030	Rear Foot	2	\$5.00	\$10.00
87	TMP032	Foot Rubber Boot	2	\$5.00	\$10.00
88	TMP031	Washer, USS 1/4"ID x 3/4"OD ZP	4	\$0.50	\$1.00
89	DBBFOOT	Rear Foot Ass'y w/mounting screws & washers	2	\$10.00	\$20.00
90	TMP322	Screw, 3/8-16x1" HXHDCS ZP	2	\$0.50	\$1.00
91	TMP318	WASHER 3/8" SAE ZP	2	\$0.50	\$1.00
92	TMP299	BUSHING-ELEVATION SIDE PLATE	2	\$1.00	\$2.00
93	TMP331	Washer-Crdl 1.312 x.381x.058	2	\$0.50	\$1.00
94	TMP314	NUT 3/8-16 KEPS ZP	4	\$0.50	\$1.00
95	TMP312	Wheels 2.5 x 1.125 x 3/8 BORE	2	\$5.00	\$10.00
96	TMP313	Screw, 3/8-16 x 1.75" PhTrsHdM	2	\$1.50	\$3.00
97	TMP325	Pad-El.Bumper 1/4x1x1 Rev"B"	2	\$0.50	\$1.00
98	DBBELCR	Gray Elevation Cradle Ass'y w/mounting hardware	1	\$25.00	\$50.00
99	DBBBLYPANR	Gray Replacement Belly Pan with 8 mounting screws	1	\$50.00	\$100.00
100	TMP1615	Wrench, 3/16 "T" Hndl Allen Bl	1	\$4.00	\$8.00
101	DBBHARDWRE	Bronze/Silver Hardware Pack	1	\$10.00	\$20.00
102	TMP1608	Manual, Bronze Basic	1	\$0.00	\$0.00
103	TMP421	Velcro Strip-1"x 1.25" Lngth	2	\$1.00	\$2.00
104	TMP424	Washer, 5/16" IT Lckwshr ZP	2	\$0.50	\$1.00
105	TMP437	Screw-#8 x 1/2 PhPnHdPB BlkOx	1	\$0.50	\$1.00